



DEPARTMENT OF THE NAVY
NAVAL STATION NORFOLK
1530 GILBERT STREET SUITE 2000
NORFOLK, VA 23511-2722

5090
Ser N4/

From: Commander, Naval Station Norfolk
To: Parents and Staff

Subj: Naval Station Norfolk Willoughby Child Development Center, Building WB200 Drinking Water

Encl: (1) Overview of Results & Actions
(2) Complete Test Results
(3) Floor Plan of the CDC

The safety and health of children and staff at our Child Development Centers (CDCs), Child Development Group Homes (CDGHs), Schools, and Youth Centers (YCs) is my top priority. In my earlier letter announcing our lead in drinking water testing program, I told you we are testing all water outlets that could potentially be used for cooking, washing, or drinking at our CDCs, CDGHs, and YCs.

Lead exposure is a particular concern for children. Lead in drinking water typically comes from the plumbing inside buildings including lead service lines, fittings, solder, water fountains/coolers, or water faucets. Navy policy requires we test the lead content of drinking water in priority areas such as youth centers (YCs), child development group homes (CDGHs), and child development centers (CDCs). Testing at the Naval Station Norfolk Child Development Center (CDC), Building WB200 was conducted on June 10, 2022. Navy environmental personnel conducted this testing at the Naval Station Norfolk CDC Building WB200 following Navy policy. Samples from various locations in the CDC were sent to a state-accredited laboratory for analysis.

We received the results of recent water testing of *105* CDC drinking water outlets. Of these, **1** outlet tested higher than Navy screening level of 15 parts per billion (ppb) for lead, which is the level requiring action to include additional testing and corrective measures. Lead in drinking water typically comes from the existing plumbing inside buildings including service lines, fittings, solder, water coolers, or water faucets. Lead is more likely to be found in drinking water when the water has not been run for an extended period of time and has been sitting in the system (e.g., overnight, weekends, etc.)

The lead level was higher than the screening level at a sink in room 140, a closed classroom not currently used for child care. After receiving the test results, we immediately took this water outlet out of service. Details on the corrective actions already taken to reduce the amount of lead in water at this fixture are discussed in the attached Overview of Results & Actions. Follow-up sampling occurred on July 01, 2022. Retesting showed that the sink in room 140 was below the screening level. The installation has implemented a periodic aerator maintenance plan to sustain this corrective action.

A copy of all test results is enclosed for information. Also enclosed are an Overview of Results & Actions, and a Floor Plan of the CDC that indicates the location of the fixture that had lead levels higher than the screening level in the initial screening sample.

I know this issue may generate more questions than this letter can answer. As such, please contact the Norfolk Station Norfolk Public Affairs Officer at 757-431-3155 for an opportunity for you to have your questions answered and voice your concerns. If you have any health questions or concerns, I encourage you to contact your health care provider or, if you are a TRICARE beneficiary, use the Region Appointment Center to schedule an appointment with your primary care provider at 1-866-645-4584.

Here are some additional resources you may find informative:

EPA (lead in drinking water)

<https://www.epa.gov/ground-water-and-drinking-water/basic-information-about-lead-drinking-water>

Annual water quality report for the installation:

<https://cnrma.cnmc.navy.mil/Operations-and-Management/Environmental-Support/Drinking-Water-Quality-Information/>

Rest assured that my team and I will continue to monitor, test water quality and take actions where necessary at the Naval Station Norfolk Willoughby CDC to ensure our drinking water lead levels are lower than screening levels. I am committed to the safety and health of all personnel and family members using our facilities and will keep you updated on this issue.

Sincerely,



David Dees
Captain, United States Navy
Commanding Officer

Copy to:
CNIC N54
NAVFAC HQ EV
NSN PAO

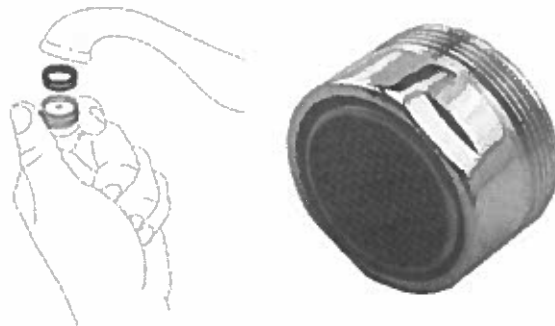
**Overview of Testing Results for Lead in Drinking Water
and Corrective Actions for
Naval Station Norfolk Willoughby Child Development Center (Building WB200)**

The Navy is committed to maintaining safe drinking water on its installations. City of Norfolk water supplied to the Navy and the Navy's water distribution system is regularly tested and in compliance with the Safe Drinking Water Act. Because lead exposure is a particular concern for children, and lead may be added to drinking water due to its presence in pipes, fittings, solder, and fixtures inside a building, the Navy policy requires that we test the lead content of drinking water in priority areas such as youth centers (YCs), child development group homes (CDGHs), and child development centers (CDCs) every five years.

Navy environmental personnel conducted lead testing at the Naval Station Norfolk Willoughby CDC in accordance with Navy and EPA guidelines. Samples from various locations in the CDC were sent to a Virginia-certified laboratory for analysis.

At the Naval Station Norfolk Willoughby CDC, outlets used for drinking, cooking, and washing were tested. Out of *105* samples collected, **one** water outlet tested above the Navy screening level of 15 parts per billion (ppb) for lead in drinking water in schools and CDCs.

The *1* outlet that exceeded 15 ppb was a handwashing sink. This sink is located in room *140*. Follow-up sampling at the outlet was conducted after removing and cleaning the faucet aerator. A faucet aerator (or tap aerator) is often found at the tip of modern indoor water faucets. Without an aerator, water usually flows out of a faucet as one big stream. An aerator spreads this stream into many little droplets, which helps save water, provides more uniform flow, and reduces splashing. However, the aerator and screen can trap debris which can accumulate lead.



After removing the faucet aerator, retesting showed that the sink in room 140 was below the screening level. The installation has implemented a periodic aerator maintenance plan to sustain this corrective action.

A copy of all test results is enclosed for your information. The test results are presented in two tables:

- Table 1 **Summary of Results** summarizes the data by category of use (e.g., drinking, cooking, washing).
- Table 2 **Summary Statistics** summarizes all the data.

A floor plan of the Naval Station Norfolk Willoughby CDC has also been included to show the locations of the fixture that exceeded 15 ppb.

Table 1 provides a description of each sampling location using three columns; *Category*, *Sampling ID*, and *Outlet Description*. The *Category* column gives information about whether the outlet is used for drinking water (water fountain), cooking (food preparation), or washing (primarily hand-washing or brushing teeth). The *Sample ID* column is the identification used to label each sample bottle. The *Outlet Description* column contains additional information to describe the outlet sampled under each category.

The next set of columns in **Table 1** provide *Initial Sampling Results*, and for those locations that exceeded the recommended screening level of 15 ppb the *Re-sampling Results*.

EPA sampling protocol requires water to not be used for between 8 and 18 hours prior to first draw sampling. Therefore, *Initial Sampling Results* were from first draw samples collected early in the morning before the CDC opened and before any water was used. The *Initial Sampling Results* also indicate whether resampling is required and the date that fixtures greater than 15 ppb were secured. Outlets that exceeded 15 ppb are highlighted in yellow.

The *Re-sampling Results* includes columns for *First Draw* and flushing samples which help determine the source of lead. For cooking and washing outlets, aerators were removed and cleaned before retesting:

- If the lead concentration of the 30 second flush sample resulted in lower than 15 ppb lead, the aerators were the source of lead and the outlet can be used for drinking if the aerators are cleaned on a regular basis. The washing sink in room 140 fit in this category.
- If the lead concentration of the resampled first draw (but not the follow up 30 second flush) was greater than 15 ppb, the fixture was the source of lead. These fixtures can be used if water is flushed for 30 seconds before first use of the day or if the fixtures are replaced and retesting confirms that the new fixtures do not leach lead. None of the outlets tested fit in this category.
- If the lead concentration of the sample following the 30 second flush was greater than 15 ppb and greater than the lead concentration of the first draw resample, the source of lead is the plumbing upstream of the outlet. These outlets should be disconnected/removed from service unless upstream plumbing is replaced. None of the outlets tested fit in this category.

The *Corrective Actions* column describes actions that were taken to remediate the source of lead. In the event that fixtures or upstream piping are replaced, there are columns for sampling data that confirms that the corrective actions were successful in reducing lead below 15 ppb.

To learn more about lead in drinking water visit the following EPA website:

<https://www.epa.gov/ground-water-and-drinking-water/basic-information-about-lead-drinking-water>

To learn more about the installation's public water supplier, see their annual water quality report:

https://www.cnic.navy.mil/regions/cnrma/om/environmental_support/water_quality_information.html

To answer any questions you may have on the sampling program contact, please contact Norfolk Station Norfolk Public Affairs Officer at 757-431-3155. If you have any health questions or concerns, you are encouraged to contact your health care provider or, if you are a TRICARE beneficiary, use the Mid-Atlantic Appointment Center to schedule an appointment with your primary care provider at 1-866-645-4584.

Enclosures:

1. Complete Test Results
2. Floor Plan of the Naval Station Norfolk Willoughby CDC

Sample Summary Results Table
Priority Areas Lead Testing and Corrective Actions (June 2022)
NSN Child Development Center, Building WB200

Table 1. Summary of Results

SAMPLING LOCATION DESCRIPTION				INITIAL SAMPLING RESULTS			RE-SAMPLING RESULTS			CORRECTIVE ACTIONS Description	POST REMEDIATION SAMPLING RESULTS		
CATEGORY	SAMPLE ID NO.	SAMPLE ID	Outlet Description	Comments	Lead Screening Level of 15 ppb			First Draw (ppb)	Follow up Flush - Collected 30 seconds after First Draw Sampling (ppb)		Recommended Level = 15 ppb		
					First Draw (ppb)	Retest required?	Date Fixture Secured? ¹			Water Fountain 15 min. Follow up Flush Sample - Collected day before First Draw Sampling (ppb)	First Draw (ppb)	Follow up Flush - Collected 30 seconds after First Draw Sampling (ppb)	First Draw (ppb)
SAMPLING DATE					6/10/2022			mm/dd/yyyy	7/1/2022	7/1/2022		mm/dd/yyyy	mm/dd/yyyy
RESULTS DATE					6/20/2022			mm/dd/yyyy	7/6/2022	7/6/2022		mm/dd/yyyy	mm/dd/yyyy
DRINKING	41	NS-WB200-LOUNGE-K-FD	Kitchen sink in Staff Lounge		non-detect	No	N/A	N/A	N/A	N/A	N/A	N/A	N/A
DRINKING	42	NS-WB200-HALL-WFBA-FD	Water fountain bubbler in hallway (high)		non-detect	No	N/A	N/A	N/A	N/A	N/A	N/A	N/A
DRINKING	43	NS-WB200-HALL-WFBB-FD	Water fountain bubbler in hallway (low)		non-detect	No	N/A	N/A	N/A	N/A	N/A	N/A	N/A
DRINKING	55	NS-WB200-RM138-WFCOMB-FD	Water fountain outlet from combination sink in Preschool Room 138		non-detect	No	N/A	N/A	N/A	N/A	N/A	N/A	N/A
DRINKING	49	NS-WB200-RM136-WFCOMB-FD	Water fountain outlet from combination sink in Preschool Room 136		non-detect	No	N/A	N/A	N/A	N/A	N/A	N/A	N/A
DRINKING	61	NS-WB200-RM140-WFCOMB-FD	Water fountain outlet from combination sink in Preschool Room 140	Not sampled during initial sampling on 6/10/2022 due to outlet leaking at time of sampling. Initial first draw sample collected on 7/1/2022 after repair of outlet.	non-detect	N/A	N/A	N/A	N/A	N/A	N/A	N/A	N/A
DRINKING	67	NS-WB200-RM142-WFCOMB-FD	Water fountain outlet from combination sink in Preschool Room 142		non-detect	No	N/A	N/A	N/A	N/A	N/A	N/A	N/A
DRINKING	74	NS-WB200-K-KC-FD	Kitchen sink used for food preparation, dishwashing, and to fill water jugs		non-detect	No	N/A	N/A	N/A	N/A	N/A	N/A	N/A
DRINKING	80	NS-WB200-RM139-WFCOMB-FD	Water fountain outlet from combination sink in Toddler Room 139		non-detect	No	N/A	N/A	N/A	N/A	N/A	N/A	N/A
DRINKING	86	NS-WB200-RM137-WFCOMB-FD	Water fountain outlet from combination sink in Toddler Room 137		non-detect	No	N/A	N/A	N/A	N/A	N/A	N/A	N/A
DRINKING	92	NS-WB200-RM135-WFCOMB-FD	Water fountain outlet from combination sink in Toddler Room 135		non-detect	No	N/A	N/A	N/A	N/A	N/A	N/A	N/A
DRINKING	98	NS-WB200-RM133-WFCOMB-FD	Water fountain outlet from combination sink in Toddler Room 133		non-detect	No	N/A	N/A	N/A	N/A	N/A	N/A	N/A
DRINKING	104	NS-WB200-RM129-WFCOMB-FD	Water fountain outlet from combination sink in Toddler Room 129		12	No	N/A	N/A	N/A	N/A	N/A	N/A	N/A
COOKING	72	NS-WB200-K-KA-FD	Kitchen sink used for food preparation and dishwashing		non-detect	No	N/A	N/A	N/A	N/A	N/A	N/A	N/A
COOKING	73	NS-WB200-K-KB-FD	Kitchen sink used for handwashing and food preparation		non-detect	No	N/A	N/A	N/A	N/A	N/A	N/A	N/A
WASHING	1	NS-WB200-BATHA-HHW-FD	High handwashing faucet in Restroom A		non-detect	No	N/A	N/A	N/A	N/A	N/A	N/A	N/A
WASHING	2	NS-WB200-RM113-HHW-FD	High handwashing faucet in Infant Room 113		2	No	N/A	N/A	N/A	N/A	N/A	N/A	N/A
WASHING	3	NS-WB200-BATH113-HHW-FD	High handwashing faucet in restroom within Infant Room 113		1	No	N/A	N/A	N/A	N/A	N/A	N/A	N/A
WASHING	4	NS-WB200-RM115-HHW-FD	High handwashing faucet in Infant Room 115		1	No	N/A	N/A	N/A	N/A	N/A	N/A	N/A
WASHING	5	NS-WB200-BATH115-HHW-FD	High handwashing faucet in restroom within Infant Room 115		1	No	N/A	N/A	N/A	N/A	N/A	N/A	N/A
WASHING	6	NS-WB200-RM117-HHW-FD	High handwashing faucet in Infant Room 117		non-detect	No	N/A	N/A	N/A	N/A	N/A	N/A	N/A
WASHING	7	NS-WB200-BATH117-HHW-FD	High handwashing faucet in restroom within Infant Room 117		non-detect	No	N/A	N/A	N/A	N/A	N/A	N/A	N/A
WASHING	8	NS-WB200-RM119-HHW-FD	High handwashing faucet in Infant Room 119		non-detect	No	N/A	N/A	N/A	N/A	N/A	N/A	N/A
WASHING	9	NS-WB200-BATH119-HHW-FD	High handwashing faucet in restroom within Infant Room 119		1	No	N/A	N/A	N/A	N/A	N/A	N/A	N/A

Sample Summary Results Table
Priority Areas Lead Testing and Corrective Actions (June 2022)
NSN Child Development Center, Building WB200

SAMPLING LOCATION DESCRIPTION				INITIAL SAMPLING RESULTS			RE-SAMPLING RESULTS			CORRECTIVE ACTIONS Description	POST REMEDIATION SAMPLING RESULTS	
CATEGORY	SAMPLE ID NO.	SAMPLE ID	Outlet Description	Comments	Lead Screening Level of 15 ppb			First Draw (ppb)	Follow up Flush - Collected 30 seconds after First Draw Sampling (ppb)		First Draw (ppb)	Recommended Level = 15 ppb
					First Draw (ppb)	Retest required?	Date Fixture Secured? ¹			Water Fountain 15 min. Follow up Flush Sample - Collected day before First Draw Sampling (ppb)		First Draw (ppb)
SAMPLING DATE				6/10/2022			mm/dd/yyyy	7/1/2022	7/1/2022		mm/dd/yyyy	mm/dd/yyyy
RESULTS DATE				6/20/2022			mm/dd/yyyy	7/6/2022	7/6/2022		mm/dd/yyyy	mm/dd/yyyy
WASHING	10	NS-WB200-RM121-HHW-FD	High handwashing faucet in Infant Room 121		non-detect	No	N/A	N/A	N/A	N/A	N/A	N/A
WASHING	11	NS-WB200-BATH121-HHW-FD	High handwashing faucet in restroom within Infant Room 121		non-detect	No	N/A	N/A	N/A	N/A	N/A	N/A
WASHING	12	NS-WB200-RM123-HHW-FD	High handwashing faucet in Infant Room 123		non-detect	No	N/A	N/A	N/A	N/A	N/A	N/A
WASHING	13	NS-WB200-BATH123-HHW-FD	High handwashing faucet in restroom within Infant Room 123		non-detect	No	N/A	N/A	N/A	N/A	N/A	N/A
WASHING	14	NS-WB200-RM125-HHW-FD	High handwashing faucet in Infant Room 125		non-detect	No	N/A	N/A	N/A	N/A	N/A	N/A
WASHING	15	NS-WB200-BATH125-HHW-FD	High handwashing faucet in restroom within Infant Room 125		2	No	N/A	N/A	N/A	N/A	N/A	N/A
WASHING	16	NS-WB200-RM127-HHW-FD	High handwashing faucet in Infant Room 127		non-detect	No	N/A	N/A	N/A	N/A	N/A	N/A
WASHING	17	NS-WB200-BATH127-HHW-FD	High handwashing faucet in restroom within Infant Room 127		2	No	N/A	N/A	N/A	N/A	N/A	N/A
WASHING	18	NS-WB200-RM126-HHW-FD	High handwashing faucet (used for teeth brushing) in Pre-Toddler Room 126		1	No	N/A	N/A	N/A	N/A	N/A	N/A
WASHING	19	NS-WB200-BATH126-HHW-FD	High handwashing faucet in restroom within Pre-Toddler Room 126		1	No	N/A	N/A	N/A	N/A	N/A	N/A
WASHING	20	NS-WB200-BATH126-LHW-FD	Low handwashing faucet in restroom within Pre-Toddler Room 126		non-detect	No	N/A	N/A	N/A	N/A	N/A	N/A
WASHING	21	NS-WB200-RM124-HHW-FD	High handwashing faucet (used for teeth brushing) in Pre-Toddler Room 124		1	No	N/A	N/A	N/A	N/A	N/A	N/A
WASHING	22	NS-WB200-BATH124-HHW-FD	High handwashing faucet in restroom within Pre-Toddler Room 124		2	No	N/A	N/A	N/A	N/A	N/A	N/A
WASHING	23	NS-WB200-BATH124-LHW-FD	Low handwashing faucet in restroom within Pre-Toddler Room 124		non-detect	No	N/A	N/A	N/A	N/A	N/A	N/A
WASHING	24	NS-WB200-RM122-HHW-FD	High handwashing faucet (used for teeth brushing) in Pre-Toddler Room 122		non-detect	No	N/A	N/A	N/A	N/A	N/A	N/A
WASHING	25	NS-WB200-BATH122-HHW-FD	High handwashing faucet in restroom within Pre-Toddler Room 122		non-detect	No	N/A	N/A	N/A	N/A	N/A	N/A
WASHING	26	NS-WB200-BATH122-LHW-FD	Low handwashing faucet in restroom within Pre-Toddler Room 122		non-detect	No	N/A	N/A	N/A	N/A	N/A	N/A
WASHING	27	NS-WB200-RM120-HHW-FD	High handwashing faucet (used for teeth brushing) in Pre-Toddler Room 120		non-detect	No	N/A	N/A	N/A	N/A	N/A	N/A
WASHING	28	NS-WB200-BATH120-HHW-FD	High handwashing faucet in restroom within Pre-Toddler Room 120		non-detect	No	N/A	N/A	N/A	N/A	N/A	N/A
WASHING	29	NS-WB200-BATH120-LHW-FD	Low handwashing faucet in restroom within Pre-Toddler Room 120		non-detect	No	N/A	N/A	N/A	N/A	N/A	N/A
WASHING	30	NS-WB200-RM118-HHW-FD	High handwashing faucet (used for teeth brushing) in Pre-Toddler Room 118		non-detect	No	N/A	N/A	N/A	N/A	N/A	N/A
WASHING	31	NS-WB200-BATH118-HHW-FD	High handwashing faucet in restroom within Pre-Toddler Room 118		non-detect	No	N/A	N/A	N/A	N/A	N/A	N/A
WASHING	32	NS-WB200-BATH118-LHW-FD	Low handwashing faucet in restroom within Pre-Toddler Room 118		non-detect	No	N/A	N/A	N/A	N/A	N/A	N/A
WASHING	33	NS-WB200-RM116-HHW-FD	High handwashing faucet (used for teeth brushing) in Pre-Toddler Room 116		non-detect	No	N/A	N/A	N/A	N/A	N/A	N/A
WASHING	34	NS-WB200-BATH116-HHW-FD	High handwashing faucet in restroom within Pre-Toddler Room 116		non-detect	No	N/A	N/A	N/A	N/A	N/A	N/A

Sample Summary Results Table
Priority Areas Lead Testing and Corrective Actions (June 2022)
NSN Child Development Center, Building WB200

SAMPLING LOCATION DESCRIPTION					INITIAL SAMPLING RESULTS			RE-SAMPLING RESULTS			CORRECTIVE ACTIONS	POST REMEDIATION SAMPLING RESULTS	
CATEGORY	SAMPLE ID NO.	SAMPLE ID	Outlet Description	Comments	Lead Screening Level of 15 ppb						Description	Recommended Level = 15 ppb	
					First Draw (ppb)	Retest required?	Date Fixture Secured? ¹	Water Fountain 15 min. Follow up Flush Sample - Collected day before First Draw Sampling (ppb)	First Draw (ppb)	Follow up Flush - Collected 30 seconds after First Draw Sampling (ppb)		First Draw (ppb)	Follow up Flush - Collected 30 seconds after First Draw Sampling (ppb)
SAMPLING DATE					6/10/2022			mm/dd/yyyy	7/1/2022	7/1/2022		mm/dd/yyyy	mm/dd/yyyy
RESULTS DATE					6/20/2022			mm/dd/yyyy	7/6/2022	7/6/2022		mm/dd/yyyy	mm/dd/yyyy
WASHING	35	NS-WB200-BATH116-LHW-FD	Low handwashing faucet in restroom within Pre-Toddler Room 116		non-detect	No	N/A	N/A	N/A	N/A	N/A	N/A	N/A
WASHING	36	NS-WB200-RM114-HHW-FD	High handwashing faucet (used for teeth brushing) in Pre-Toddler Room 114		non-detect	No	N/A	N/A	N/A	N/A	N/A	N/A	N/A
WASHING	37	NS-WB200-BATH114-HHW-FD	High handwashing faucet in restroom within Pre-Toddler Room 114		non-detect	No	N/A	N/A	N/A	N/A	N/A	N/A	N/A
WASHING	38	NS-WB200-BATH114-LHWA-FD	Low handwashing faucet in restroom within Pre-Toddler Room 114		non-detect	No	N/A	N/A	N/A	N/A	N/A	N/A	N/A
WASHING	39	NS-WB200-BATH114-LHWB-FD	Low handwashing faucet in restroom within Pre-Toddler Room 114		non-detect	No	N/A	N/A	N/A	N/A	N/A	N/A	N/A
WASHING	40	NS-WB200-BATHB-HHW-FD	High handwashing faucet in Restroom B		non-detect	No	N/A	N/A	N/A	N/A	N/A	N/A	N/A
WASHING	44	NS-WB200-BATHC-HHW-FD	High handwashing faucet in Restroom C		non-detect	No	N/A	N/A	N/A	N/A	N/A	N/A	N/A
WASHING	45	NS-WB200-BATHD-HHW-FD	High handwashing faucet in Restroom D		non-detect	No	N/A	N/A	N/A	N/A	N/A	N/A	N/A
WASHING	47	NS-WB200-RM136-HHW-FD	High handwashing faucet in Preschool Room 136		non-detect	No	N/A	N/A	N/A	N/A	N/A	N/A	N/A
WASHING	48	NS-WB200-RM136-HWCOMB-FD	Low handwashing faucet from combination sink (used for teeth brushing) in Preschool Room 136		non-detect	No	N/A	N/A	N/A	N/A	N/A	N/A	N/A
WASHING	50	NS-WB200-BATH136-HHW-FD	High handwashing faucet in restroom within Preschool Room 136		non-detect	No	N/A	N/A	N/A	N/A	N/A	N/A	N/A
WASHING	51	NS-WB200-BATH136-LHWA-FD	Low handwashing faucet in restroom within Preschool Room 136		non-detect	No	N/A	N/A	N/A	N/A	N/A	N/A	N/A
WASHING	52	NS-WB200-BATH136-LHWB-FD	Low handwashing faucet in restroom within Preschool Room 136		non-detect	No	N/A	N/A	N/A	N/A	N/A	N/A	N/A
WASHING	53	NS-WB200-RM138-HHW-FD	High handwashing faucet in Preschool Room 138		non-detect	No	N/A	N/A	N/A	N/A	N/A	N/A	N/A
WASHING	54	NS-WB200-RM138-HWCOMB-FD	Low handwashing faucet from combination sink (used for teeth brushing) in Preschool Room 138		non-detect	No	N/A	N/A	N/A	N/A	N/A	N/A	N/A
WASHING	56	NS-WB200-BATH138-HHW-FD	High handwashing faucet in restroom within Preschool Room 138		non-detect	No	N/A	N/A	N/A	N/A	N/A	N/A	N/A
WASHING	57	NS-WB200-BATH138-LHWA-FD	Low handwashing faucet in restroom within Preschool Room 138		non-detect	No	N/A	N/A	N/A	N/A	N/A	N/A	N/A
WASHING	58	NS-WB200-BATH138-LHWB-FD	Low handwashing faucet in restroom within Preschool Room 138		non-detect	No	N/A	N/A	N/A	N/A	N/A	N/A	N/A
WASHING	59	NS-WB200-RM140-HHW-FD	High handwashing faucet in Preschool Room 140		non-detect	No	N/A	N/A	N/A	N/A	N/A	N/A	N/A
WASHING	60	NS-WB200-RM140-HWCOMB-FD	Low handwashing faucet from combination sink (used for teeth brushing) in Preschool Room 140	Initial sampling results for samples collected on 6/10/2022 invalidated as outlet is on the same pipeline as the leaking outlet #61 at time of sampling. Initial first draw sample collected on 7/1/2022 after repair of outlet #61.	non-detect	No	N/A	N/A	N/A	N/A	N/A	N/A	N/A
WASHING	62	NS-WB200-BATH140-HHW-FD	High handwashing faucet in restroom within Preschool Room 140		17	Yes	6/21/2022	N/A	2	1	Aerator removed and cleaned (See Note 2)	N/A	N/A
WASHING	63	NS-WB200-BATH140-LHWA-FD	Low handwashing faucet in restroom within Preschool Room 140		non-detect	No	N/A	N/A	N/A	N/A	N/A	N/A	N/A
WASHING	64	NS-WB200-BATH140-LHWB-FD	Low handwashing faucet in restroom within Preschool Room 140		non-detect	No	N/A	N/A	N/A	N/A	N/A	N/A	N/A
WASHING	65	NS-WB200-RM142-HHW-FD	High handwashing faucet in Preschool Room 142		non-detect	No	N/A	N/A	N/A	N/A	N/A	N/A	N/A

Sample Summary Results Table
Priority Areas Lead Testing and Corrective Actions (June 2022)
NSN Child Development Center, Building WB200

SAMPLING LOCATION DESCRIPTION				INITIAL SAMPLING RESULTS			RE-SAMPLING RESULTS			CORRECTIVE ACTIONS Description	POST REMEDIATION SAMPLING RESULTS		
CATEGORY	SAMPLE ID NO.	SAMPLE ID	Outlet Description	Comments	First Draw (ppb)	Retest required?	Date Fixture Secured? ¹	Lead Screening Level of 15 ppb			Recommended Level = 15 ppb		
								Water Fountain 15 min. Follow up Flush Sample - Collected day before First Draw Sampling (ppb)	First Draw (ppb)	Follow up Flush - Collected 30 seconds after First Draw Sampling (ppb)	First Draw (ppb)	Follow up Flush - Collected 30 seconds after First Draw Sampling (ppb)	
SAMPLING DATE					6/10/2022			mm/dd/yyyy	7/1/2022	7/1/2022		mm/dd/yyyy	mm/dd/yyyy
RESULTS DATE					6/20/2022			mm/dd/yyyy	7/6/2022	7/6/2022		mm/dd/yyyy	mm/dd/yyyy
WASHING	66	NS-WB200-RM142-HWCOMB-FD	Low handwashing faucet from combination sink (used for teeth brushing) in Preschool Room 142		non-detect	No	N/A	N/A	N/A	N/A	N/A	N/A	N/A
WASHING	68	NS-WB200-BATH142-HHW-FD	High handwashing faucet in restroom within Preschool Room 142		non-detect	No	N/A	N/A	N/A	N/A	N/A	N/A	N/A
WASHING	69	NS-WB200-BATH142-LHWA-FD	Low handwashing faucet in restroom within Preschool Room 142		non-detect	No	N/A	N/A	N/A	N/A	N/A	N/A	N/A
WASHING	70	NS-WB200-BATH142-LHWB-FD	Low handwashing faucet in restroom within Preschool Room 142		non-detect	No	N/A	N/A	N/A	N/A	N/A	N/A	N/A
WASHING	77	NS-WB200-BATHE-HHW-FD	High handwashing faucet in Restroom E		non-detect	No	N/A	N/A	N/A	N/A	N/A	N/A	N/A
WASHING	78	NS-WB200-RM139-HHW-FD	High handwashing faucet in Toddler Room 139		1	No	N/A	N/A	N/A	N/A	N/A	N/A	N/A
WASHING	79	NS-WB200-RM139-HWCOMB-FD	Low handwashing faucet from combination sink (used for teeth brushing) in Toddler Room 139		non-detect	No	N/A	N/A	N/A	N/A	N/A	N/A	N/A
WASHING	81	NS-WB200-BATH139-HHW-FD	High handwashing faucet in restroom within Toddler Room 139		non-detect	No	N/A	N/A	N/A	N/A	N/A	N/A	N/A
WASHING	82	NS-WB200-BATH139-LHWA-FD	Low handwashing faucet in restroom within Toddler Room 139		non-detect	No	N/A	N/A	N/A	N/A	N/A	N/A	N/A
WASHING	83	NS-WB200-BATH139-LHWB-FD	Low handwashing faucet in restroom within Toddler Room 139		non-detect	No	N/A	N/A	N/A	N/A	N/A	N/A	N/A
WASHING	84	NS-WB200-RM137-HHW-FD	High handwashing faucet in Toddler Room 137		non-detect	No	N/A	N/A	N/A	N/A	N/A	N/A	N/A
WASHING	85	NS-WB200-RM137-HWCOMB-FD	Low handwashing faucet from combination sink (used for teeth brushing) in Toddler Room 137		non-detect	No	N/A	N/A	N/A	N/A	N/A	N/A	N/A
WASHING	87	NS-WB200-BATH137-HHW-FD	High handwashing faucet in restroom within Toddler Room 137		non-detect	No	N/A	N/A	N/A	N/A	N/A	N/A	N/A
WASHING	88	NS-WB200-BATH137-LHWA-FD	Low handwashing faucet in restroom within Toddler Room 137		non-detect	No	N/A	N/A	N/A	N/A	N/A	N/A	N/A
WASHING	89	NS-WB200-BATH137-LHWB-FD	Low handwashing faucet in restroom within Toddler Room 137		non-detect	No	N/A	N/A	N/A	N/A	N/A	N/A	N/A
WASHING	90	NS-WB200-RM135-HHW-FD	High handwashing faucet in Toddler Room 135		non-detect	No	N/A	N/A	N/A	N/A	N/A	N/A	N/A
WASHING	91	NS-WB200-RM135-HWCOMB-FD	Low handwashing faucet from combination sink (used for teeth brushing) in Toddler Room 135		non-detect	No	N/A	N/A	N/A	N/A	N/A	N/A	N/A
WASHING	93	NS-WB200-BATH135-HHW-FD	High handwashing faucet in restroom within Toddler Room 135		non-detect	No	N/A	N/A	N/A	N/A	N/A	N/A	N/A
WASHING	94	NS-WB200-BATH135-LHWA-FD	Low handwashing faucet in restroom within Toddler Room 135		non-detect	No	N/A	N/A	N/A	N/A	N/A	N/A	N/A
WASHING	95	NS-WB200-BATH135-LHWB-FD	Low handwashing faucet in restroom within Toddler Room 135		non-detect	No	N/A	N/A	N/A	N/A	N/A	N/A	N/A
WASHING	96	NS-WB200-RM133-HHW-FD	High handwashing faucet in Toddler Room 133		non-detect	No	N/A	N/A	N/A	N/A	N/A	N/A	N/A
WASHING	97	NS-WB200-RM133-HWCOMB-FD	Low handwashing faucet from combination sink (used for teeth brushing) in Toddler Room 133		non-detect	No	N/A	N/A	N/A	N/A	N/A	N/A	N/A
WASHING	99	NS-WB200-BATH133-HHW-FD	High handwashing faucet in restroom within Toddler Room 133		non-detect	No	N/A	N/A	N/A	N/A	N/A	N/A	N/A
WASHING	100	NS-WB200-BATH133-LHWA-FD	Low handwashing faucet in restroom within Toddler Room 133		non-detect	No	N/A	N/A	N/A	N/A	N/A	N/A	N/A

Sample Summary Results Table
 Priority Areas Lead Testing and Corrective Actions (June 2022)
 NSN Child Development Center, Building WB200

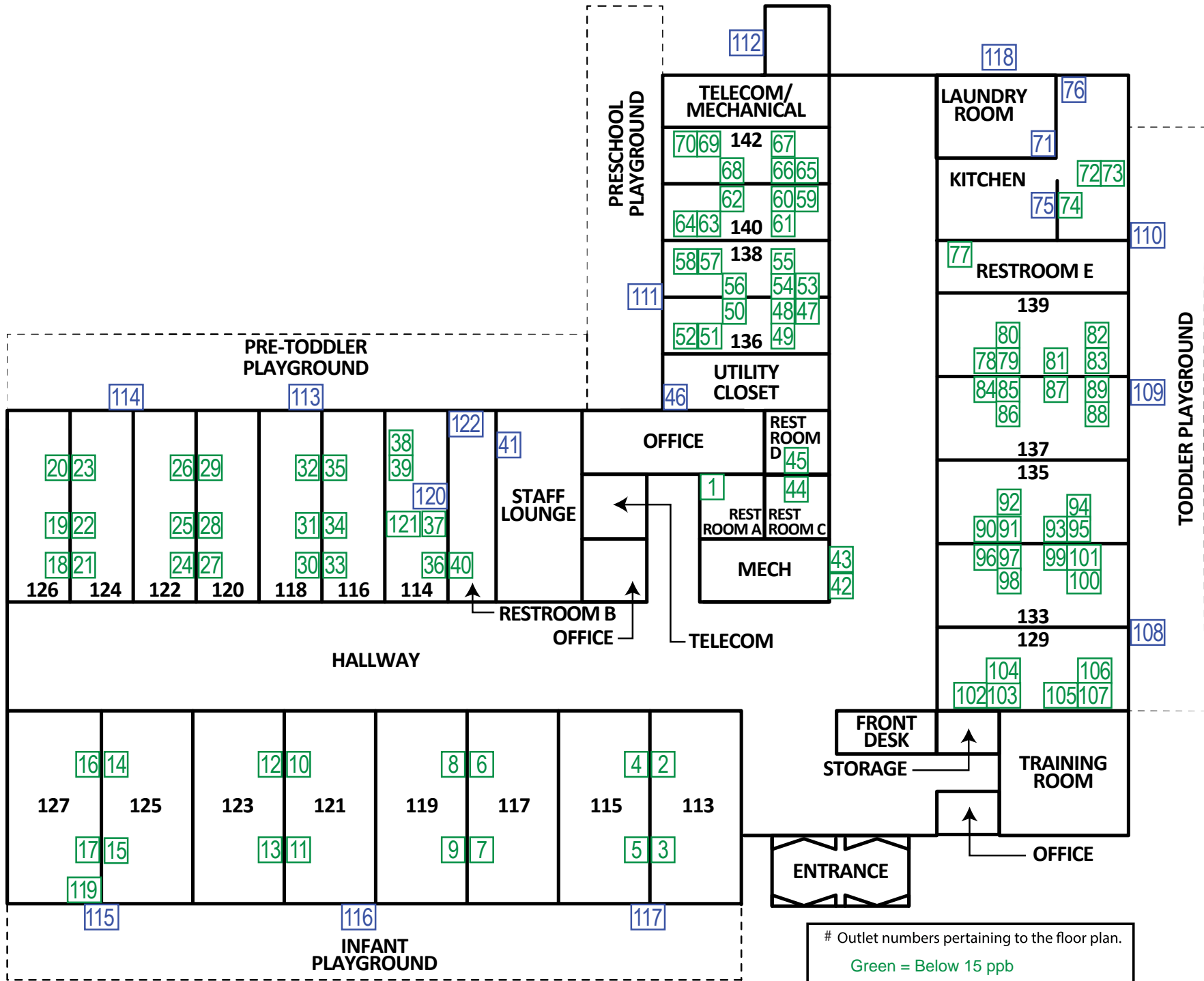
SAMPLING LOCATION DESCRIPTION				INITIAL SAMPLING RESULTS			RE-SAMPLING RESULTS			CORRECTIVE ACTIONS	POST REMEDIATION SAMPLING RESULTS		
CATEGORY	SAMPLE ID NO.	SAMPLE ID	Outlet Description	Comments	Lead Screening Level of 15 ppb						Recommended Level = 15ppb		
					First Draw (ppb)	Retest required?	Date Fixture Secured? ¹	Water Fountain 15 min. Follow up Flush Sample - Collected day before First Draw Sampling (ppb)	First Draw (ppb)	Follow up Flush - Collected 30 seconds after First Draw Sampling (ppb)	Description	First Draw (ppb)	Follow up Flush - Collected 30 seconds after First Draw Sampling (ppb)
SAMPLING DATE					6/10/2022			mm/dd/yyyy	7/1/2022	7/1/2022		mm/dd/yyyy	mm/dd/yyyy
RESULTS DATE					6/20/2022			mm/dd/yyyy	7/6/2022	7/6/2022		mm/dd/yyyy	mm/dd/yyyy
WASHING	101	NS-WB200-BATH133-LHWP-FD	Low handwashing faucet in restroom within Toddler Room 133		non-detect	No	N/A	N/A	N/A	N/A	N/A	N/A	N/A
WASHING	102	NS-WB200-RM129-HHW-FD	High handwashing faucet in Toddler Room 129		non-detect	No	N/A	N/A	N/A	N/A	N/A	N/A	N/A
WASHING	103	NS-WB200-RM129-HWCOMB-FD	Low handwashing faucet from combination sink (used for teeth brushing) in Toddler Room 129		2	No	N/A	N/A	N/A	N/A	N/A	N/A	N/A
WASHING	105	NS-WB200-BATH129-HHW-FD	High handwashing faucet in restroom within Toddler Room 129		5	No	N/A	N/A	N/A	N/A	N/A	N/A	N/A
WASHING	106	NS-WB200-BATH129-LHWA-FD	Low handwashing faucet in restroom within Toddler Room 129		1	No	N/A	N/A	N/A	N/A	N/A	N/A	N/A
WASHING	107	NS-WB200-BATH129-LHWP-FD	Low handwashing faucet in restroom within Toddler Room 129		1	No	N/A	N/A	N/A	N/A	N/A	N/A	N/A
WASHING	119	NS-WB200-BATH127-LHW-FD	Low handwashing faucet in restroom within Infant Room 127		non-detect	No	N/A	N/A	N/A	N/A	N/A	N/A	N/A
WASHING	121	NS-WB200-RM114-HWCOMB-FD	Low handwashing faucet from combination sink (used for teeth brushing) in Pre-Toddler Room 114		5	No	N/A	N/A	N/A	N/A	N/A	N/A	N/A

Notes:

- Affected outlets were secured after receiving verbal communication from the laboratory on results exceeding the recommended level of 15 ppm.
- Resampling was conducted on 7/1/2022. The faucet aerator was removed and cleaned, and the lines and faucets were flushed prior to resampling. The resample results were below the recommended screening level of 15 ppb for lead as shown in Table 1.

Table 2. Summary Statistics

CATEGORY	INITIAL SAMPLING RESULTS	RE-SAMPLING RESULTS			POST REMEDIATION
	First Draw (ppb)	Lead Screening Level of 15 ppb		First Draw (ppb)	First Draw (ppb)
		Water Fountain Follow up Flush Sample - Collected day before First Draw Sampling (ppb)		Follow up Flush - Collected 30 seconds after First Draw Sampling (ppb)	
Total Drinking	13	0	0	0	0
Total Drinking > 15 ppb	0	0	0	0	0
Total Cooking	2	0	0	0	0
Total Cooking > 15 ppb	0	0	0	0	0
Total Washing	90	0	1	1	0
Total Washing > 15 ppb	1	0	0	0	0
Total Samples	105	0	1	1	0
Total Samples > 15 ppb	1	0	0	0	0



No.	Type of Fixture	Location Description	Exceeded?
1	High handwashing faucet	Restroom A	No
2	High handwashing faucet	Infant Room 113	No
3	High handwashing faucet	Restroom within Infant Room 113	No
4	High handwashing faucet	Infant Room 115	No
5	High handwashing faucet	Restroom within Infant Room 115	No
6	High handwashing faucet	Infant Room 117	No
7	High handwashing faucet	Restroom within Infant Room 117	No
8	High handwashing faucet	Infant Room 119	No
9	High handwashing faucet	Restroom within Infant Room 119	No
10	High handwashing faucet	Infant Room 121	No
11	High handwashing faucet	Restroom within Infant Room 121	No
12	High handwashing faucet	Infant Room 123	No
13	High handwashing faucet	Restroom within Infant Room 123	No
14	High handwashing faucet	Infant Room 125	No
15	High handwashing faucet	Restroom within Infant Room 125	No
16	High handwashing faucet	Infant Room 127	No
17	High handwashing faucet	Restroom within Infant Room 127	No
18	High handwashing faucet (used for teeth brushing)	Pre-Toddler Room 126	No
19	High handwashing faucet	Restroom within Pre-Toddler Room 126	No
20	Low handwashing faucet	Restroom within Pre-Toddler Room 126	No
21	High handwashing faucet (used for teeth brushing)	Pre-Toddler Room 124	No
22	High handwashing faucet	Restroom within Pre-Toddler Room 124	No
23	Low handwashing faucet	Restroom within Pre-Toddler Room 124	No
24	High handwashing faucet (used for teeth brushing)	Pre-Toddler Room 122	No
25	High handwashing faucet	Restroom within Pre-Toddler Room 122	No
26	Low handwashing faucet	Restroom within Pre-Toddler Room 122	No
27	High handwashing faucet (used for teeth brushing)	Pre-Toddler Room 120	No
28	High handwashing faucet	Restroom within Pre-Toddler Room 120	No
29	Low handwashing faucet	Restroom within Pre-Toddler Room 120	No

No.	Type of Fixture	Location Description	Exceeded?
30	High handwashing faucet (used for teeth brushing)	Pre-Toddler Room 118	No
31	High handwashing faucet	Restroom within Pre-Toddler Room 118	No
32	Low handwashing faucet	Restroom within Pre-Toddler Room 118	No
33	High handwashing faucet (used for teeth brushing)	Pre-Toddler Room 116	No
34	High handwashing faucet	Restroom within Pre-Toddler Room 116	No
35	Low handwashing faucet	Restroom within Pre-Toddler Room 116	No
36	High handwashing faucet (used for teeth brushing)	Pre-Toddler Room 114	No
37	High handwashing faucet	Restroom within Pre-Toddler Room 114	No
38	Low handwashing faucet	Restroom within Pre-Toddler Room 114	No
39	Low handwashing faucet	Restroom within Pre-Toddler Room 114	No
40	High handwashing faucet	Restroom B	No
41	Kitchen sink used for food preparation and dishwashing	Staff Lounge	Not sampled
42	Water fountain bubbler A (high)	Hallway	No
43	Water fountain bubbler B (low)	Hallway	No
44	High handwashing faucet	Restroom C	No
45	High handwashing faucet	Restroom D	No
46	Utility sink	Utility Room	Not sampled
47	High handwashing faucet	Pre-School Room 136	No
48	Low handwashing faucet from combination sink (used for teeth brushing)	Pre-School Room 136	No
49	Water fountain outlet from combination sink	Pre-School Room 136	No
50	High handwashing faucet	Restroom within Pre-School Room 136	No
51	Low handwashing faucet	Restroom within Pre-School Room 136	No
52	Low handwashing faucet	Restroom within Pre-School Room 136	No
53	High handwashing faucet	Pre-School Room 138	No
54	Low handwashing faucet from combination sink (used for teeth brushing)	Pre-School Room 138	No
55	Water fountain outlet from combination sink	Pre-School Room 138	No

No.	Type of Fixture	Location Description	Exceeded?
56	High handwashing faucet	Restroom within Pre-School Room 138	No
57	Low handwashing faucet	Restroom within Pre-School Room 138	No
58	Low handwashing faucet	Restroom within Pre-School Room 138	No
59	High handwashing faucet	Pre-School Room 140	No
60	Low handwashing faucet from combination sink (used for teeth brushing)	Pre-School Room 140	No
61	Water fountain outlet from combination sink	Pre-School Room 140	No (Leaking faucet was repaired before sampling)
62	High handwashing faucet	Restroom within Pre-School Room 140	Results were below recommended level after faucet aerator was cleaned
63	Low handwashing faucet	Restroom within Pre-School Room 140	No
64	Low handwashing faucet	Restroom within Pre-School Room 140	No
65	High handwashing faucet	Pre-School Room 142	No
66	Low handwashing faucet from combination sink (used for teeth brushing)	Pre-School Room 142	No
67	Water fountain outlet from combination sink	Pre-School Room 142	No
68	High handwashing faucet	Restroom within Pre-School Room 142	No
69	Low handwashing faucet	Restroom within Pre-School Room 142	No
70	Low handwashing faucet	Restroom within Pre-School Room 142	No
71	Utility sink	Laundry Room	Not sampled
72	Kitchen sink used for food preparation and dishwashing	Kitchen	No
73	Kitchen sink used for handwashing and food preparation	Kitchen	No
74	Kitchen sink used for food preparation, dishwashing, and to fill water jugs	Kitchen	No
75	Dishwashing sprayer in Kitchen	Kitchen	Not sampled
76	Utility sink	Kitchen	Not sampled
77	High handwashing faucet	Restroom E	No

No.	Type of Fixture	Location Description	Exceeded?
78	High handwashing faucet	Toddler Room 139	No
79	Low handwashing faucet from combination sink (used for teeth brushing)	Toddler Room 139	No
80	Water fountain outlet from combination sink	Toddler Room 139	No
81	High handwashing faucet	Restroom within Toddler Room 139	No
82	Low handwashing faucet	Restroom within Toddler Room 139	No
83	Low handwashing faucet	Restroom within Toddler Room 139	No
84	High handwashing faucet	Toddler Room 137	No
85	Low handwashing faucet from combination sink (used for teeth brushing)	Toddler Room 137	No
86	Water fountain outlet from combination sink	Toddler Room 137	No
87	High handwashing faucet	Restroom within Toddler Room 137	No
88	Low handwashing faucet	Restroom within Toddler Room 137	No
89	Low handwashing faucet	Restroom within Toddler Room 137	No
90	High handwashing faucet	Toddler Room 135	No
91	Low handwashing faucet from combination sink (used for teeth brushing)	Toddler Room 135	No
92	Water fountain outlet from combination sink	Toddler Room 135	No
93	High handwashing faucet	Restroom within Toddler Room 135	No
94	Low handwashing faucet	Restroom within Toddler Room 135	No
95	Low handwashing faucet	Restroom within Toddler Room 135	No
96	High handwashing faucet	Toddler Room 133	No
97	Low handwashing faucet from combination sink (used for teeth brushing)	Toddler Room 133	No
98	Water fountain outlet from combination sink	Toddler Room 133	No
99	High handwashing faucet	Restroom within Toddler Room 133	No
100	Low handwashing faucet	Restroom within Toddler Room 133	No
101	Low handwashing faucet	Restroom within Toddler Room 133	No
102	High handwashing faucet	Toddler Room 129	No
103	Low handwashing faucet from combination sink (used for teeth brushing)	Toddler Room 129	No
104	Water fountain outlet from combination sink	Toddler Room 129	No
105	High handwashing faucet	Restroom within Toddler Room 129	No
106	Low handwashing faucet	Restroom within Toddler Room 129	No
107	Low handwashing faucet	Restroom within Toddler Room 129	No

No.	Type of Fixture	Location Description	Exceeded?
108	Hose bib in the Toddler Playground	Outside on north side of Building WB200	Not sampled
109	Hose bib in the Toddler Playground	Outside on north side of Building WB200	Not sampled
110	Hose bib in the Toddler Playground	Outside on north side of Building WB200	Not sampled
111	Hose bib in the Pre-School Playground	Outside on west side of Building WB200	Not sampled
112	Hose bib	Outside on northwest side of Building WB200	Not sampled
113	Hose bib in the Pre-Toddler Playground	Outside on west side of Building WB200	Not sampled
114	Hose bib in the Pre-Toddler Playground	Outside on west side of Building WB200	Not sampled
115	Hose bib in the Infant Playground	Outside on east side of Building WB200	Not sampled
116	Hose bib in the Infant Playground	Outside on east side of Building WB200	Not sampled
117	Hose bib in the Infant Playground	Outside on east side of Building WB200	Not sampled
118	Hose bib	Outside on northwest side of Building WB200	Not sampled
119	Low handwashing faucet	Restroom within Infant Room 127	No
120	Water fountain outlet from combination sink	Restroom within Pre-Toddler Room 114	Not sampled
121	Low handwashing faucet from combination sink (used for teeth brushing)	Pre-Toddler Room 114	No
122	Shower head-not for drinking	Restroom B	Not sampled

Outlet numbers pertaining to floor plan

Red = Above 15 ppb

Green = Below 15 ppb

Blue = Not sampled